

***SCHEUERLE* - KAMAG**

K 2506

51000020



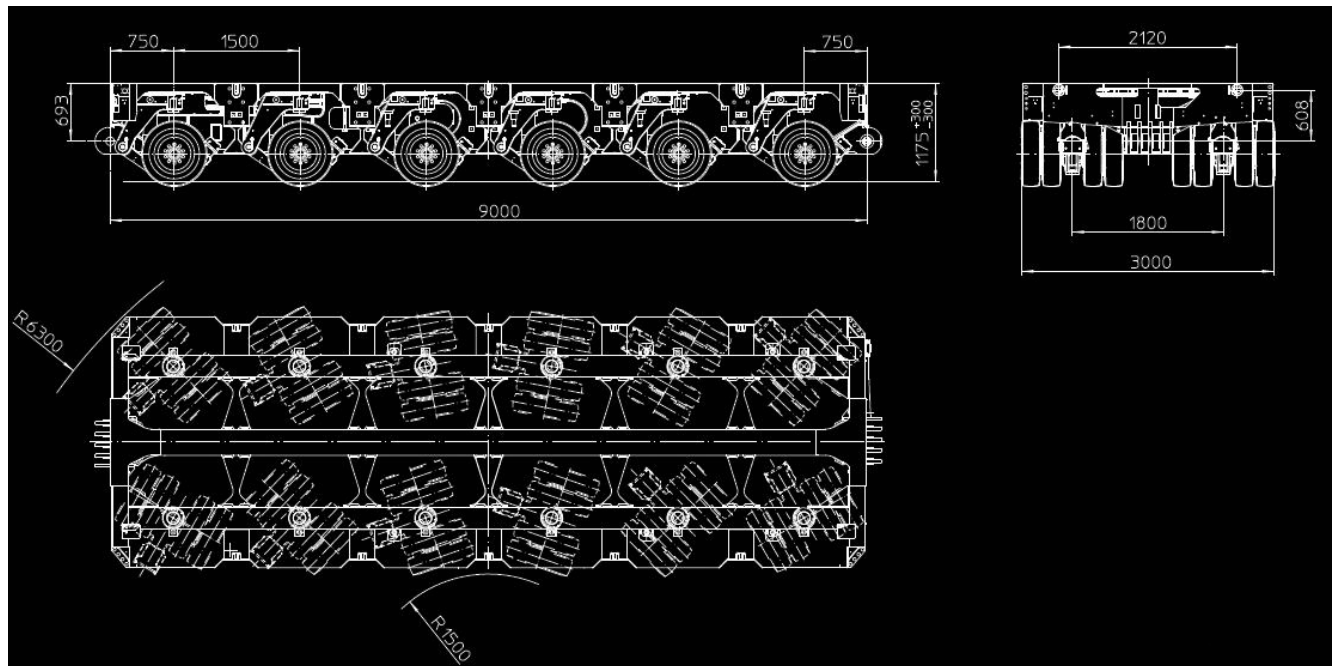
Technical data

Travel speed	German traffic regulations 80 km/h	40 – 80 km/h	25 km/h	10 km/h	1 km/h
Payload	52.000 kg	72.000 kg	121.000 kg	148.000 kg	196.000 kg
Dead weight	20.000 kg				
Total weight	72.000 kg	96.000 kg	141.000 kg	168.000 kg	216.000 kg
Axle load	12.000 kg	16.000 kg	23.500 kg	28.000 kg	36.000 kg
Platform dimensions	approx. 9.000 x 3.000 mm				
Coupling length	approx. 9.000 mm				
Platform height center	approx. 1.175 mm				
Axle compensation	approx. +/- 300 mm				
Platform height lowered	approx. 875 mm				
Steering / steering angle	hydraulical-mechanical / approx. +/- 60°				
Number of Wheel bogies / braked	12 / 12				
Brake performance	522 kN				
Tyres	48 x 215/75 R17,5TL				
Oil tank volume	220l				
Bending resistance of platform	approx. 7.000 kNm				
Operating temperature	approx. -20°C up to +45°C				

The multifunctional transportation system for payloads up to 5 000 tons

K 2506

51000020

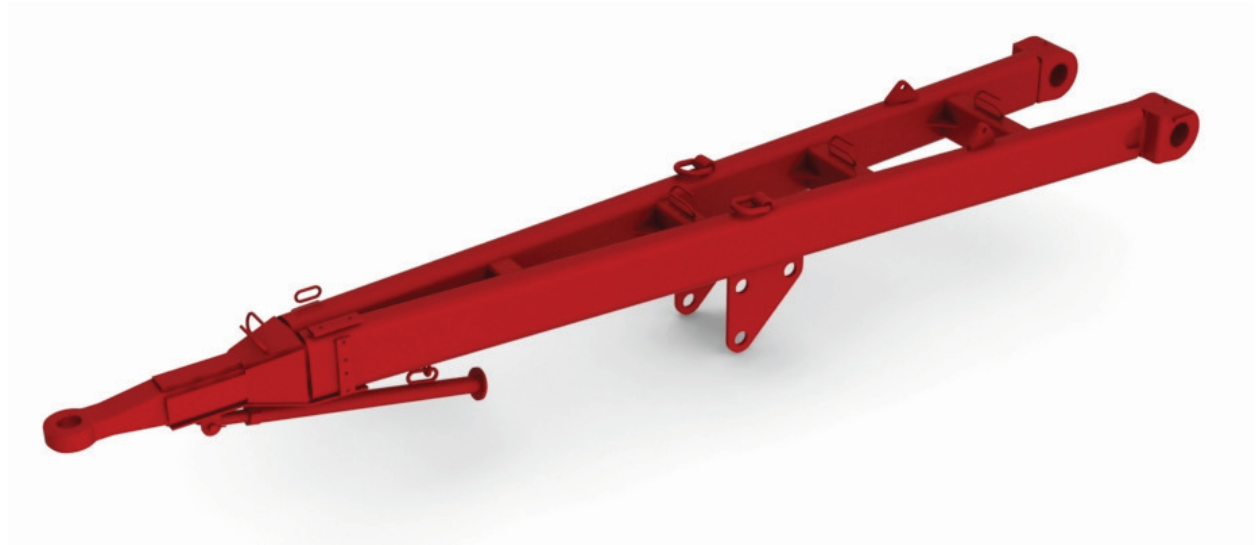


Standard accessories:

- 1 set of coupling hoses end to end
- 1 hydraulic coupling bolt

Drawbar

51000211



Technical data

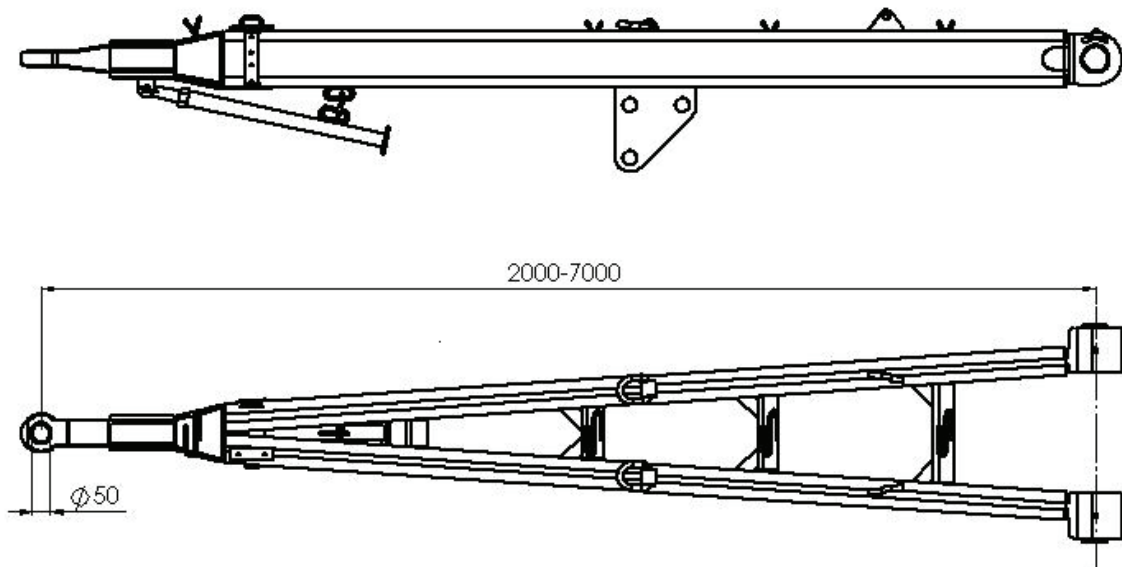
Item	51000036	51000037	51000038	51000039	51000040	51000041
Length / m	2	3	4	5	6	7
Weight / kg	180	245	310	375	440	510
Towing force / to	500					
D-Value / kN	330					
Ø Drawbar eye / mm	50					

Note:

Does not work in combination with PPU Z 22 DE

Drawbar

51000211



Standard measurements

Reference	Description	
51000036	Drawbar 2m	
51000037	Drawbar 3m	
51000038	Drawbar 4m	
51000039	Drawbar 5m	
51000040	Drawbar 6m	
51000041	Drawbar 7m	

Options

Reference	Description	
51000042	Support bogie	
	Selection of any other colour from the RAL- colour space system*	

* for additional charge

***SCHEUERLE* - KAMAG**

Warning beacon

50000376



Technical Data

Weight	5 kg
---------------	------

1 Set of Warning Plates

51000110



Functions and equipment:

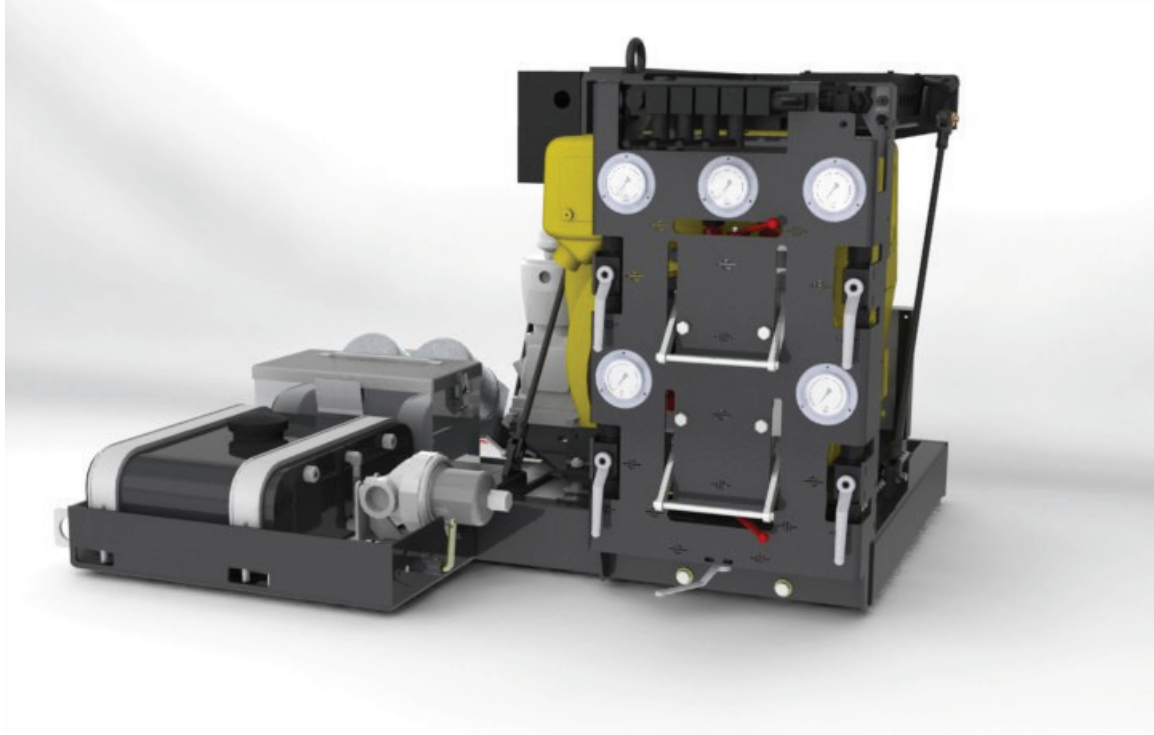
- Lateral extractable from 3m up to 6m
- magnetic holder
- position lights

Technical data

Weight	38 kg
---------------	-------

PPU Z 10 HA

51000210



Technical data:

Diesel engine manufacturer / Type	Hatz 1 D 81C
Performance	9,5 kW bei 3.000 1/min
Exhaust emission category	EPA II / COM II
Cooling system	air cooling
Dimensions, L x W x H	ca. 1.170 x 1.210 x 760 mm
Dead weight	approx. 400 kg
Fuel tank capacity	20 l
Generator voltage/ capacity	12 V / 60 A
Battery voltage/ capacity	12 V / 55 Ah
Hydraulic pump Q max / p max	13,5 L/min
Painting	RAL 7021 black grey
Operating temperature	-20 °C up to +45 °C

The multifunctional transportation system for payloads up to 5.000 to

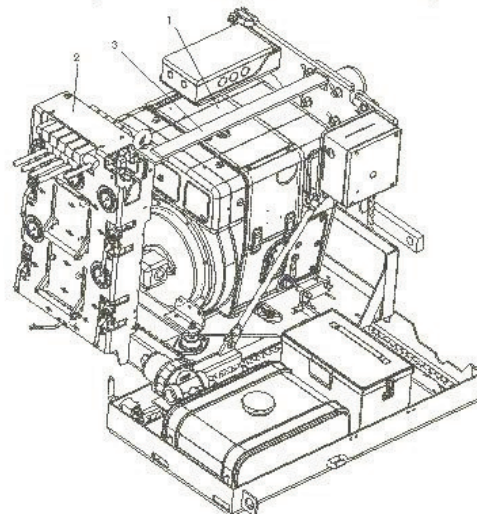
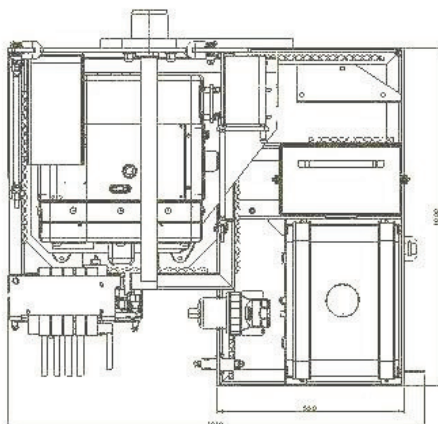
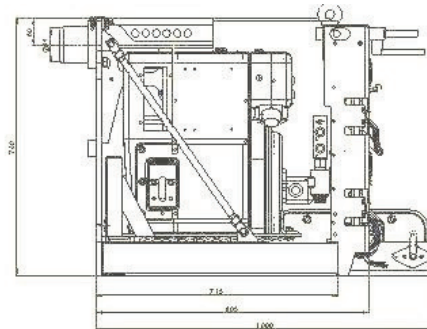
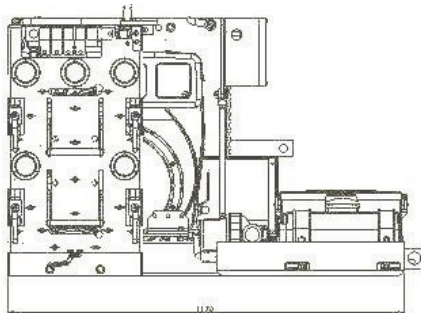
PPU Z 10 HA

51000210

Options

Reference	Description	
51000090	With frame to be installed in direction of travel on the left	
51000207	With frame to be installed in direction of travel on the right	
51000208	Air compressor	
51000XXX	Handbrake lever (only in combination with the compressor)	
51000XXX	Selection of any other colour from the RAL- colour space system*	

*for additional charge



Divided Rear Lighting Elements

51000111



Functions and equipment:

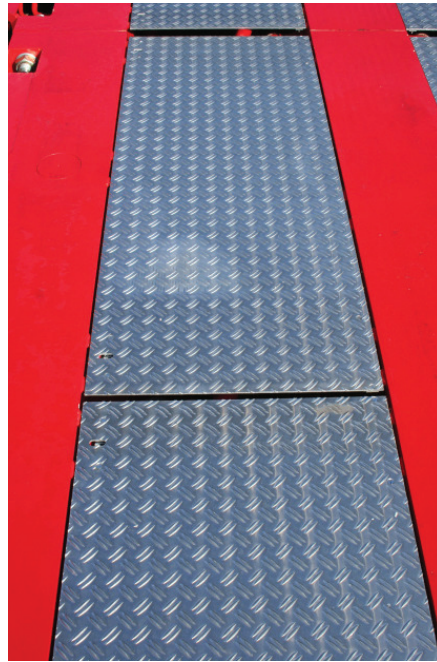
- Reflective warning plates- yellow coloured
- Red tail- lights
- Side lamps
- Screwable

Technical data

Weight	40 kg
---------------	-------

Covering plates made of aluminium

51000915

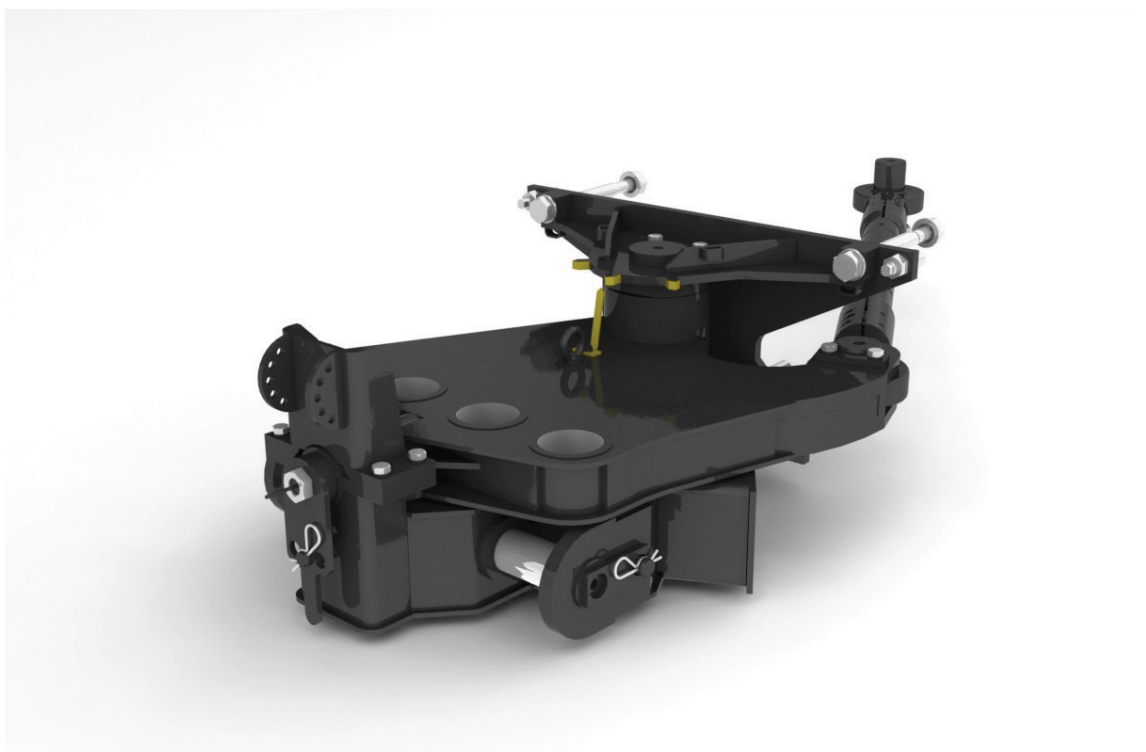


Technical data:

Item	51000116	51000117	51000118	51000119	51000120
Axlelines	2	3	4	5	6
Weight / kg	40	65	90	115	140
Material	3mm AlMg3				
Surface	Duett Mill finish				

Drawbar coupling element 2-file

51000034



Technical data:

Weight	approx. 520 kg
Dimensions (length x width x height)	970 x 490 x 900 mm
Towing force	500 to
D-Value	330 kN
Painting	RAL 7021 dark grey

Reference	Description
	Selection of any other colour from the RAL-colour space system*

*for additional charge